



A Salt-less Water Softener + more

Whole House Model 500 gpd (1,875 LPD)

The Problem

Minerals in the water are the major components of TDS (total dissolved solids). These minerals need to be removed on many applications, or they will form deposits.

The Electronic Water Purifier makes patented pending technology available to lower total dissolved solids in the water.

How it Works

Electrodes used are made from activated carbon and other materials. These electrodes are layered into a cell casing. A DC power supply is applied across the electrodes. The individual electrodes are charged with different polarities. The minerals in the water are attracted to the opposite polarity of the electrode. These minerals are electrochemically absorbed on the surface of the electrode creating the purified water.

When sufficient minerals are deposited on the electrodes, the minerals are released during a regeneration step. The contaminants fall off the electrode after a flush valve opens discharging the contaminants removed

Benefits

- Simple Operation & Low Operating Costs
- No chemicals and no frequent replacement parts
- No pretreatment needed like membranes and media
- 80% to 95%+ TDS reduction
- 75% recovery (25% waste water)
- Removes more contaminants than any single other technology
- Compact size

General Specifications

Flow Size: WH-1 : 500 GPD
 Limits:TDS WH-1. 1,000 ppm or WH-2. 2,500 ppm
 Current: 2 amps @110 VAC, or 1 amps @ 220 VAC
 Size: unit 16”d x 12”w x 18” h

Tank Size: (optional) 150 (180 L) gallons
 Pump (optional) 60 psi @ 8 gpm

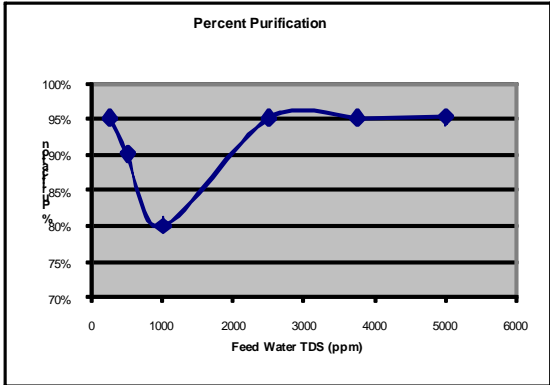
Applications

- Whole House Water Purifier
- Commercial Store

Typical Contaminants Removed

Hardness	Arsenic	Chrome	Lead
Fluoride	Nitrates	Iron	per chlorate

Low TDS + more



Features

- Durable Plastic Cabinet
- Semi automatic Citric Acid clean
- Dial-4-Taste
- Easy to operate
- No service calls—low maintenance
- No expensive parts to replace each year



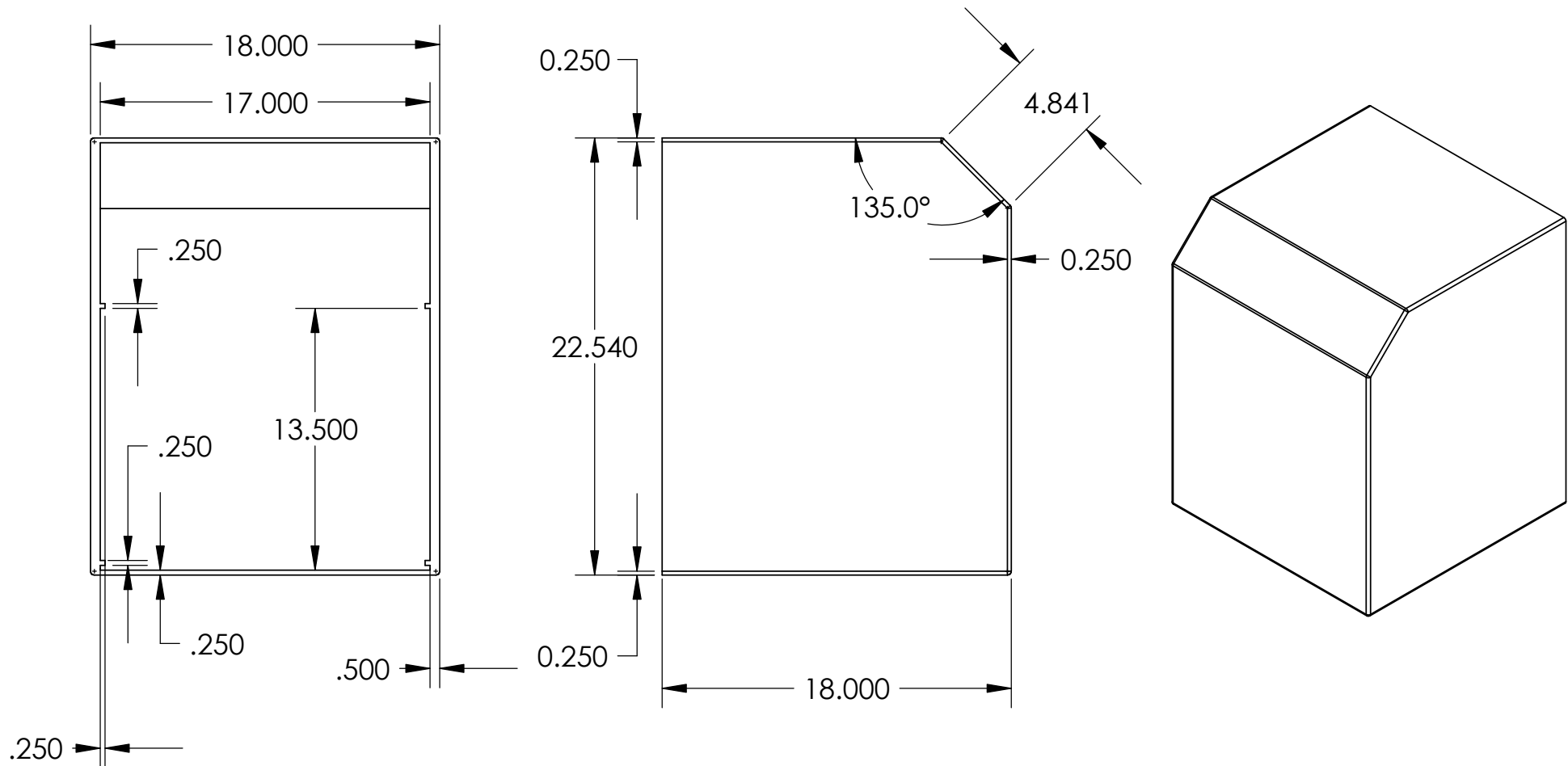
Aqua EWP, LLC.
 1326 North Trinity • San Antonio, TX 78207
 www.AquaEWP.com
 Email: AquaEWP@swbell.net



Side view (all connections come out this side)



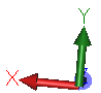
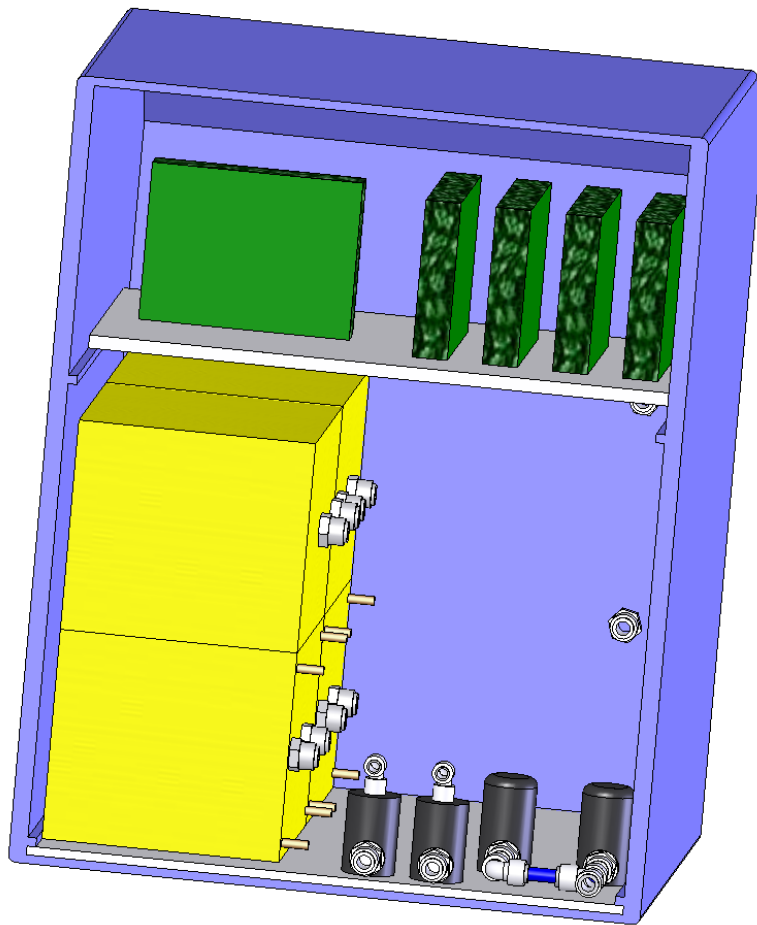
Back View (all sde panels comes off for easy access and repair)



PROPRIETARY AND CONFIDENTIAL
 THE INFORMATION CONTAINED IN THIS DRAWING IS THE SOLE PROPERTY OF <INSERT COMPANY NAME HERE>. ANY REPRODUCTION IN PART OR AS A WHOLE WITHOUT THE WRITTEN PERMISSION OF <INSERT COMPANY NAME HERE> IS PROHIBITED.

		UNLESS OTHERWISE SPECIFIED:		NAME	DATE
		DIMENSIONS ARE IN INCHES	DRAWN		
		TOLERANCES:	CHECKED		
		FRACTIONAL ±	ENG APPR.		
		ANGULAR: MACH ± BEND ±	MFG APPR.		
		TWO PLACE DECIMAL ±	Q.A.		
		THREE PLACE DECIMAL ±	COMMENTS:		
		INTERPRET GEOMETRIC TOLERANCING PER:			
		MATERIAL			
		FINISH			
NEXT ASSY	USED ON				
APPLICATION		DO NOT SCALE DRAWING			

TITLE:		
SIZE	DWG. NO.	REV
A-Cell Housing		
SCALE: 1:1	WEIGHT:	SHEET 1 OF 1



Model		Wholehouse	Wholehouse
		WH-1	WH-2
purification Flow instantaneous			
purification Flow average	GPD	500 GPD	500 GPD
purified water produced	GPD	500 GPD	500 GPD
Number of Cells		1	2
Ion Rejection @ max TDS		80%	80% to 90%

Operating Parameters

Recovery		75%	75%
Temperature	deg F	40 to 100	40 to 100
PH		4 to 9	4 to 9
Max. TDS	PPM	1000	2500
Feed Pressure	PSIG	20	40

Electrode

Electrode Cell Thickness	In	6	6
Length x width	In	6" x7"	6" x7"

Unit

Dimensions

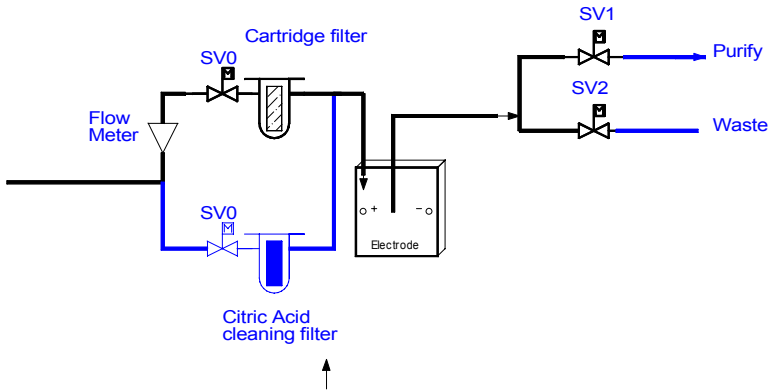
W x D x H	In	18" x 18" x 30"	18" x 18" x 22.5"
min. Tank size recommended	gallons	150	150
Shipping Weight	lbs.	100	100

Electrical

Data

Electrical Voltage- single phase 50/60 hz	VAC*	220	120/220
Amperage load- Peak @220 vac 1phase	amps	0.75	3/1.5

Process Flow Diagram



Sabrex, Inc.
P & ID
Electronic Water Purifier
EWP 1 stage
12/2005 R.A.ias